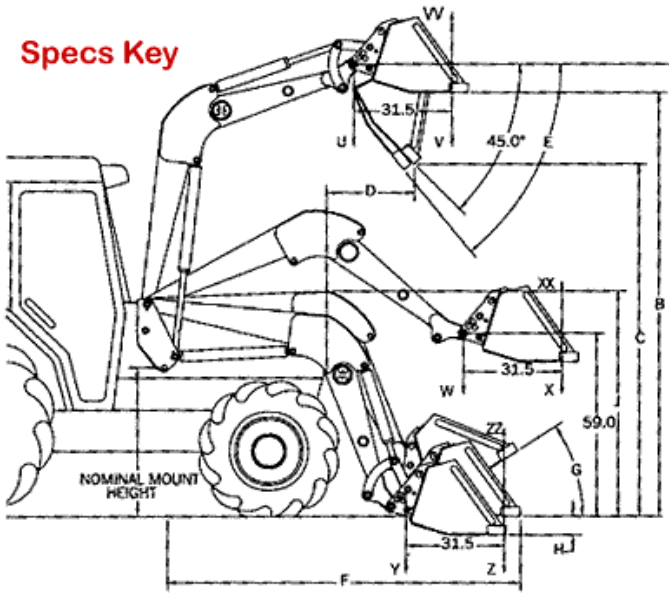


**2000 Series Midmount Specifications**

| Item     | Description  | 2495         | 2495 TSL | 2495 S       | 2495 S TSL | 2595 2596    | 2595/2596 TSL | 2595 S 2596 S | 2595 S/2596 S TSL | 2795 | 2795 TSL | 2795 S | 2795 S TSL |
|----------|--|--------------|----------|--------------|------------|--------------|---------------|---------------|-------------------|------|----------|--------|------------|
| <b>A</b> | Max lift height to pivot pin (in)                                    | 140          | 140      | 136          | 136        | 145          | 145           | 142           | 142               | 164  | 164      | 157    | 157        |
| <b>B</b> | Max lift height under level bucket (in)                              | 130          | 130      | 126          | 126        | 135          | 135           | 132           | 132               | 154  | 154      | 147    | 147        |
| <b>C</b> | Clearance with bucket dumped (in)                                    | 107          | 107      | 102          | 102        | 112          | 112           | 108           | 108               | 130  | 130      | 123    | 123        |
| <b>D</b> | Reach at max lift height (in)  | 21           | 21       | 25           | 25         | 29           | 28            | 32            | 32                | 29   | 29       | 37     | 37         |
| <b>E</b> | Max dump angle (deg)   | 44           | 44       | 44           | 44         | 48           | 49            | 46            | 48                | 50   | 50       | 50     | 51         |
| <b>G</b> | Max rollback angle (deg)   | 41           | 41       | 41           | 41         | 38           | 38            | 38            | 38                | 34   | 34       | 34     | 34         |
| <b>H</b> | Digging depth (in)   | 5.0          | 5.0      | 5.0          | 5.0        | 7.0          | 7.0           | 5.5           | 5.5               | 5.0  | 5.0      | 4.0    | 4.0        |
| <b>J</b> | Overall height in carry position (in)                                | 83           | 86       | 83           | 86         | 85           | 87            | 85            | 86                | 86   | 87       | 86     | 87         |
| <b>U</b> | Lift cap to max height - at pivot pin<br><i>optional cylinder</i>    | 4015<br>6250 | 6250     | 4060<br>6315 | 6270       | 3425<br>5395 | 5355          | 3465<br>5455  | 5410              | 3685 | 3680     | 3770   | 3760       |
| <b>V</b> | Lift capacity to max height (lb)<br><i>optional cylinder</i>         | 2605<br>4050 | 4050     | 2620<br>4075 | 4045       | 2330<br>3670 | 3645          | 2335<br>3680  | 3650              | 2610 | 2605     | 2660   | 2655       |
| <b>W</b> | Lift cap to 59" height-at pivot pin (lb)<br><i>optional cylinder</i> | 4220<br>6590 | 6570     | 4430<br>6895 | 6834       | 3995<br>6280 | 6220          | 4200<br>6570  | 6510              | 5010 | 5020     | 5350   | 5355       |
| <b>X</b> | Lift capacity to 59" height (lb)<br><i>optional cylinder</i>         | 3190<br>4985 | 4970     | 3315<br>5160 | 5115       | 3050<br>4795 | 4750          | 3170<br>4965  | 4920              | 3915 | 3920     | 4130   | 4130       |
| <b>Y</b> | Breakout force - at pivot pin (lb)<br><i>optional cylinder</i>       | 4845<br>7535 | 7500     | 5215<br>8070 | 8005       | 4795<br>4790 | 7425          | 5180<br>8040  | 7970              | 6440 | 6460     | 7145   | 7160       |
| <b>Z</b> | Breakout force (lb)<br><i>optional cylinder</i>                      | 3515<br>5465 | 5440     | 3715<br>5750 | 5705       | 3480<br>5435 | 5385          | 3695<br>5735  | 5690              | 4780 | 4795     | 5185   | 5190       |
|          | Hydraulic pressure rating/flow rate (psi/gpm)                        |              | 2500/15  |              |            |              |               | 2500/15       |                   |      | 2500/15  |        |            |
|          | Tractor size (HP @ normal duty)                                      |              | 50-100   |              |            |              |               | 50-120        |                   |      | 75-120   |        |            |
|          | Avg weight (with bkt & mtg kit) (lb)                                 |              | 2100     |              |            |              |               | 2200          |                   |      | 2800     |        |            |

## Specs Key



## 2000 Series Midmount

Black is the standard color on midmount loaders. Custom colors are available.

A level indicator rod shows the position of the bucket/attachment relative to the ground.

Detach from tractor in minutes.

Two torsion tubes for extra strength.

Convenient parking stands are stored in torsion tube.

A distinctive feature on all Buhler midmount loaders is the parallel bucket linkage, usually seen only on self leveling loaders. This generally increases rollback and dump angles.

